

PNR3010/3012/3015



FEATURES 特点

- * Excellent solderability and high heat resistance
良好的可焊性和高耐热性

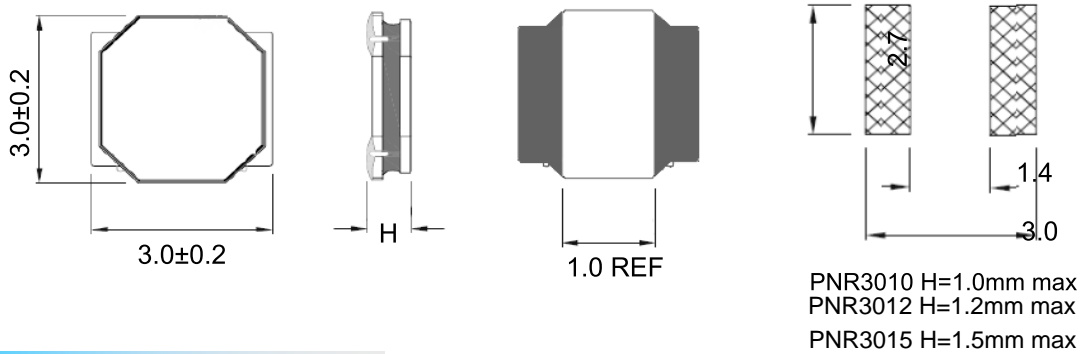
APPLICATION 用途

- * DC / DC 转换器

MEASURING FREQUENCY 测试频率

- * 100KHz 1V

Shapes And Dimensions 外形及尺寸示意图



Electrical Characteristics 电气性能

Part Number	Inductance(μH)	DCR (mΩ.) Max.	ISAT(A)	ITMS(A)	Teat Freq
PNR3010-1R0YC	1.0	90	2.10	1.80	100KHz1V
PNR3010-1R5YC	1.5	135	1.70	1.50	100KHz1V
PNR3010-2R2NC	2.2	160	1.30	1.30	100KHz1V
PNR3010-3R3NC	3.3	220	1.20	1.00	100KHz1V
PNR3010-4R7NC	4.7	360	1.10	0.90	100KHz1V
PNR3010-6R8NC	6.8	450	0.90	0.80	100KHz1V
PNR3010-8R2NC	8.2	490	0.70	0.70	100KHz1V
PNR3010-100MC	10	590	0.60	0.62	100KHz1V
PNR3010-150MC	15	845	0.50	0.50	100KHz1V
PNR3010-220MC	22	1919	0.40	0.40	100KHz1V

Part Number	Inductance(μH)	DCR (mΩ.) Max.	ISAT(A)	ITMS(A)	Teat Freq
PNR3012-1R0YC	1.0	76	2.20	2.00	100KHz1V
PNR3012-1R5YC	1.5	95	1.80	1.90	100KHz1V
PNR3012-2R2NC	2.2	142	1.50	1.60	100KHz1V
PNR3012-3R3NC	3.3	212	1.20	1.30	100KHz1V
PNR3012-6R8NC	4.7	286	0.90	0.90	100KHz1V
PNR3012-6R8NC	6.8	392	0.80	0.80	100KHz1V
PNR3012-100MC	10	585	0.70	0.75	100KHz1V
PNR3012-220MC	22	1391	0.42	0.42	100KHz1V
PNR3012-470MC	47	2210	0.34	0.34	100KHz1V

The sample parameters are based on actual measured values

Electrical Characteristics 电气性能

Part Number	Inductance(μ H)	DCR (m Ω .) Max.	ISAT(A)	ITMS(A)	Teat Freq
PNR3015-1R2YC	1.2	32	2.15	1.98	100KHz1V
PNR3015-1R5YC	1.5	48	1.80	1.81	100KHz1V
PNR3015-2R2NC	2.2	72	1.60	1.60	100KHz1V
PNR3015-3R3NC	3.3	96	1.32	1.36	100KHz1V
PNR3015-4R7NC	4.7	157	1.10	1.09	100KHz1V
PNR3015-6R8NC	6.8	216	0.85	0.85	100KHz1V
PNR3015-100MC	10	300	0.72	0.77	100KHz1V
PNR3015-150MC	15	432	0.66	0.65	100KHz1V
PNR3015-220MC	22	624	0.52	0.57	100KHz1V
PNR3015-470MC	47	1625	0.35	0.35	100KHz1V

The sample parameters are based on actual measured values